

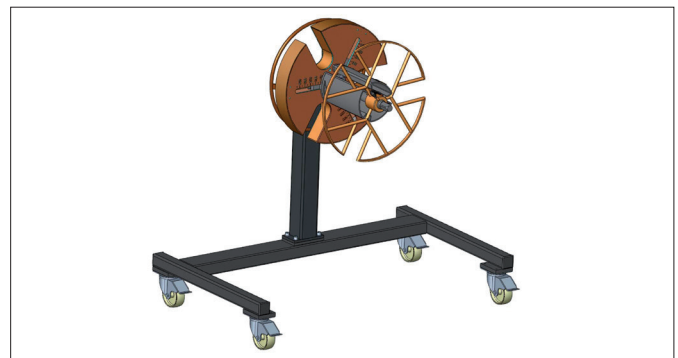
## Coil and spool dispensing unit, manual



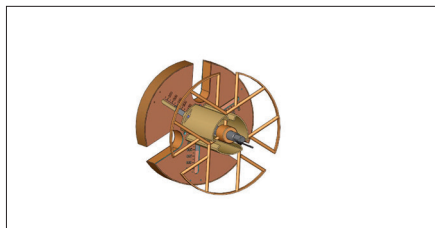
**Fig. 1** KOMBITRAK 800 T (Part No. 85100912) with spool winding axle  
Spool and coil winder with dancer and mechanical brake



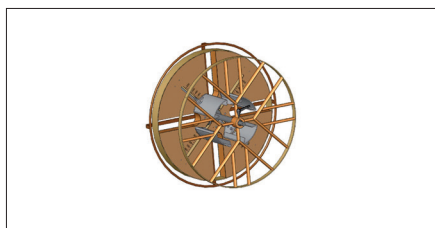
**Fig. 2** KOMBITRAK 800 T (Part No. 85100912) with RAPID 480 SL  
Spool and coil winder with dancer and mechanical brake



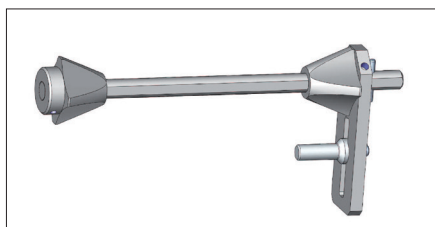
**Fig. 3** KOMBITRAK 800 B (Part No. 87000305) with RAPID 480 SL  
Spool and coil winder with adjustable brake



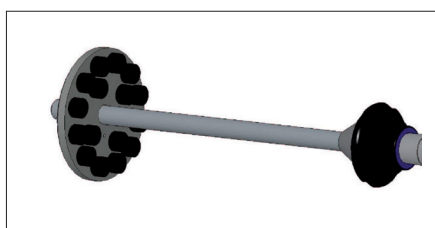
<b>RAPID 480 SL</b>		<b>Part No.</b>	<b>85100082</b>
Coil-Ø	bis 480 mm	Weight	40 kg
Core adjusting range	200-370 mm	Axle holder-Ø	30 mm
Winding width	50-250 mm	Colour	RAL 2004 Orange
Loading capacity	max. 65 kg		



<b>RAPID 800 SL</b>		<b>Part No.</b>	<b>85100101</b>
Coil-Ø	bis 800 mm	Weight	70 kg
Core adjusting range	300 - 550 mm	Axle holder-Ø	30 mm
Winding width	50-250 mm	Colour	RAL 2004 Orange
Loading capacity	max. 80 kg		



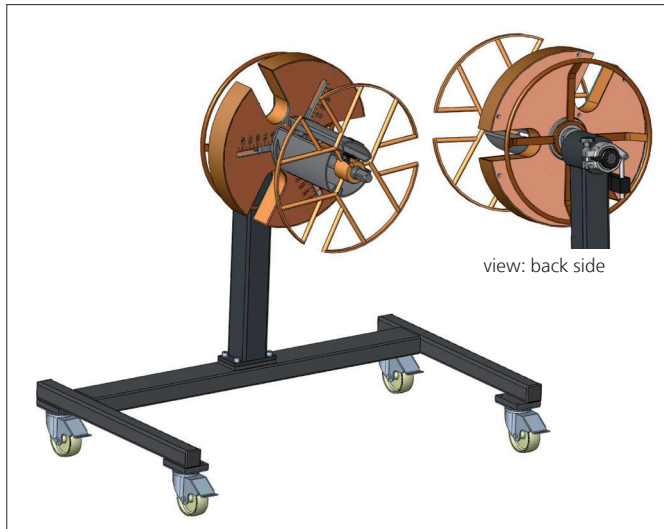
<b>Winding axle for spool 500-600-30</b>		<b>Part-No.</b>	<b>85100103</b>
Spool-Ø	bis 500 mm	Core adjusting range	40 - 80 mm
Axle length	600 mm	Spool width	250 mm
Axle-Ø	30 mm	Loading capacity	60 kg
Axle holder-Ø	30 mm	Weight	8 kg



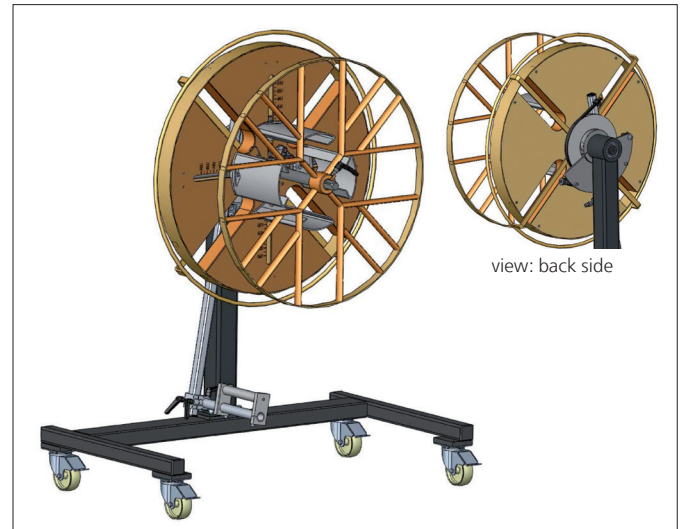
<b>Winding axle for spool-Ø up to 800 mm</b>		<b>Part No.</b>	<b>87000224</b>
Spool width (Bore 35 mm)	max. 405 mm	Axle holder-Ø	30 mm
Spool width (Bore 50 mm)	max. 415 mm	Core adjusting range	35 - 85 mm
Spool width (Bore 85 mm)	max. 445 mm	Loading capacity	max. 100 kg
Axle-Ø	30 mm	Weight	ca. 10 kg

Dimensions and specifications may be changed without prior notice. Issue 10/2013.

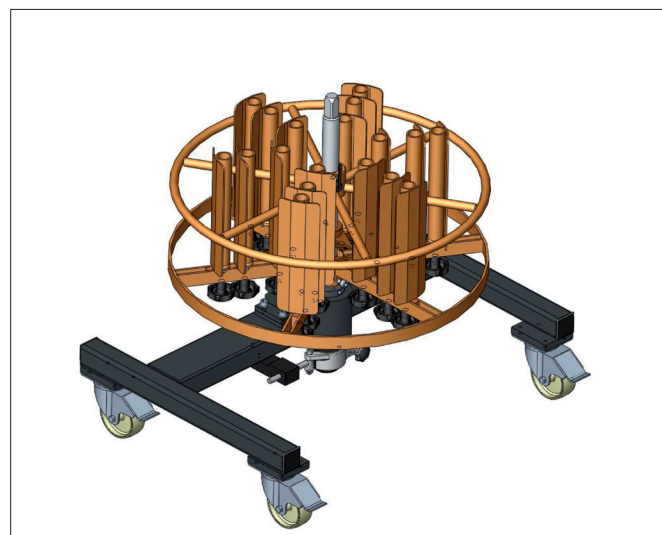
## Coil and spool dispensing unit, manual



**Fig. 4** KOMBITRAK 800 B  
Example with coiler head RAPID 480 SL



**Fig. 5** KOMBITRAK 800 T  
Example with coiler head RAPID 800



**Fig. 6** KOMBITRAK 800 H (Part No. 87000309) with RAPID 850 ST  
Spool and coil winder with adjustable brake

### Basic equipment

- Steel profile frame with four brakable steering rollers
- Drive unit consisting of brake disc with pendulum for opening and closing the rope brake, tensile force of the pendulum lever adjustable at the tension spring (KOMBITRAK T - Part-no: 85100912)
- spool receipt for kabelmat @winding axles or winding heads in vertical construction
- Spool loading via lifting truck, forklift truck or manually
- Drive unit consists of adjustable mechanical brake (KOMBITRAK 800 B - Part No. 87000305 + KOMBITRAK 800 H - Part No. 87000309)

### Technical details

Spool- / Coil diameter	max. 800 mm
Spool- / Coil width	as per specification of winding axle/ Coiler head
Spool- / Coil weight	as per specification of winding axle/ Coiler head
Locating bore	30 mm
Loading weight	max. 100 kg
Direction of material flow	from the right to the left
L x W x H	abt. 1200 x 1000 x 1000 mm
Colour	RAL 7005 mouse grey
Weight	abt. 70 kg